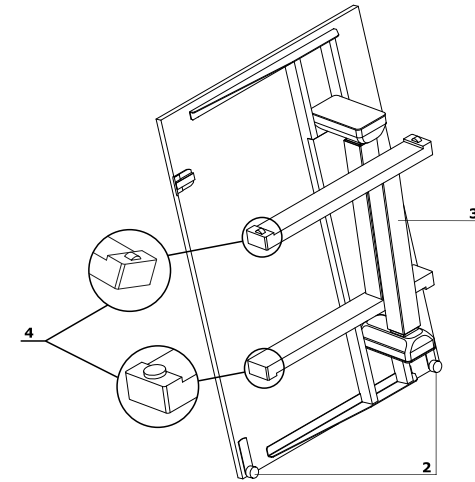
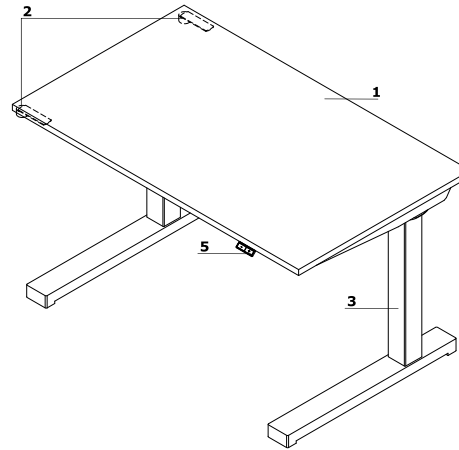


Technical specification

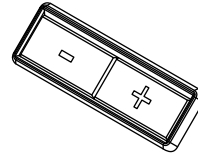
- 1 Top** - MFC 18 mm, ABS edges 2 mm
- 2 Transport wheels** - allow moving the desk in the folded position
- 3 Electric height adjustable frame** - powder coated steel, load 100 kg, telescopic leg, folding
- 4 Foot:**
 - feet - only on the right hand side leg
 - transport wheels - only on the left hand side leg
- 5 Control panel** - stepless height adjustment:
 - A** - basic control panel; the sensitivity of the anti-collision system is set to Medium
 - B** - OPTION WITH EXTRA CHARGE - up and down keypad with memory; the ability to change the sensitivity of the anti-collision system within 3 levels: Low, Medium, High
 - C** - OPTION FOR AN ADDITIONAL COST - bluetooth module:
 - compatible with both panel A and B
 - the ability to change the sensitivity of the anti-collision system within 3 levels: Low, Medium, High
 - control via .mdd Desk BT application (downloadable from Google Play or App Store). The app has a time interval function that informs the user about the need of changing body position (from sitting to standing or standing to sitting)



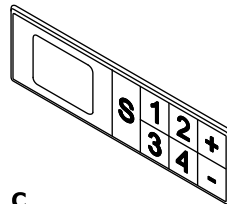
Frame technical specification

- Height adjustment - 40 mm/sec Super Soft Start - Stop
- Drive - 2 synchronised motors with microprocessor, work control sensor
- Noise level - < 48dB
- Anti collision mechanism
- Standards - EN 527-2
- EU Directives - 206/95EC, UI508 1999, UL 1004 R7 06, WE DC 2004/108WE
- Power supply - 230V, 300W, power consumption on Standby - 0.3W

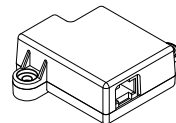
A



B

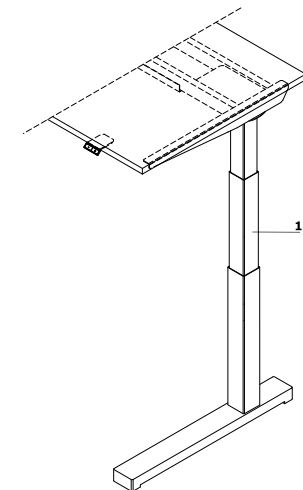


C



Frame

- 1 Electric height adjustable frame** - in the range of 575–1225 mm - sit-stand, metal, powder coated, 3 profiles 50 × 50 mm, 55 × 55 mm and 60 × 60 mm



Attention - the desk is arrives pre-assembled with folded frame (unfolding the frame does not require any tools)